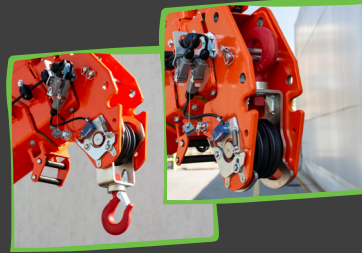


## REMOTE CONTROL



- ✓ Intuitive layout
- ✓ Proportional & precise
- ✓ Spare Battery on board
- ✓ Self levelling button
- ✓ Automatic pulley block recovery button

## MAIN BOOM HOOK



- ✓ Innovative foldaway hook
- ✓ Immediate switch between hook or winch mode
- ✓ 2800 kg MAX capacity
- ✓ 10,4 m MAX height



## SPECIAL FEATURES

- ✓ Jekko Telematic Port (JTP)
- ✓ Anti jerk lifting system

## JEKKO TOUCH EXPERIENCE

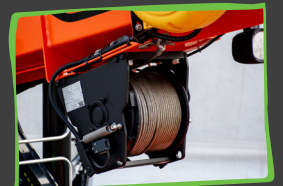
- ✓ 10" waterproof (IP66) touch screen
- ✓ Innovative & intuitive graphics
- ✓ Live load-chart and stability area
- ✓ Easy USB stick SW update
- ✓ Video tutorial & Crane assistant



## AUTOMATIC PULLEY BLOCK RECOVERY

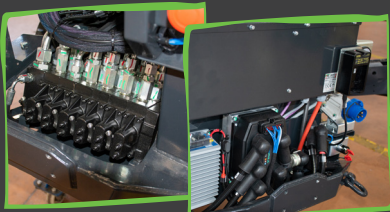
## 360° ENDLESS ROTATION

## UP TO 125 M WINCH



## BATTERY + HYDRAULICS = LONG LASTING & ENERGY SAVING

- ✓ Lithium battery pack
- ✓ Jekko Dynamic Pressure Control (JDPC)

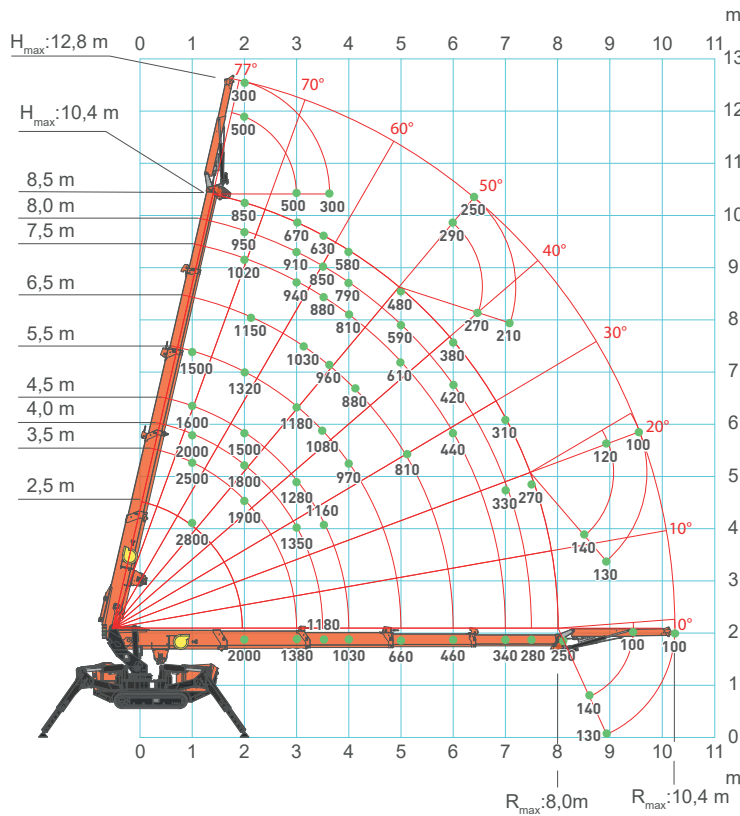


## SELF-LEVELLING OUTRIGGERS





# LOAD CHART



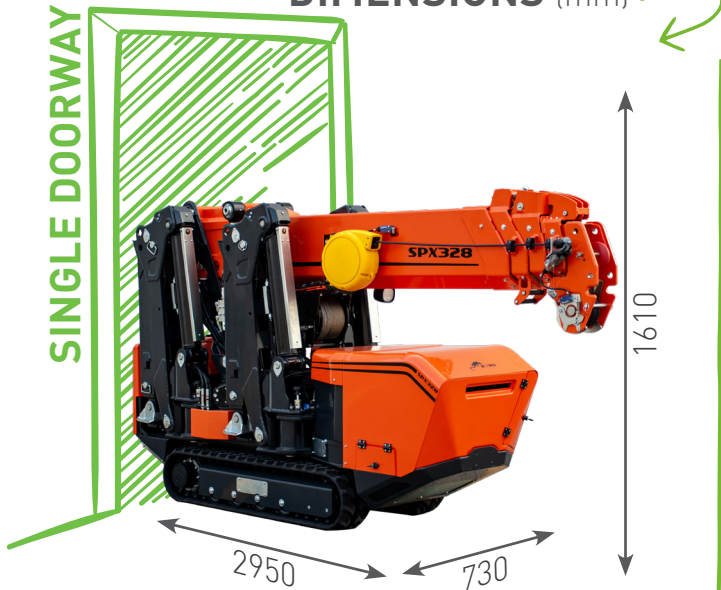
SCAN FOR MORE TECHNICAL DATA



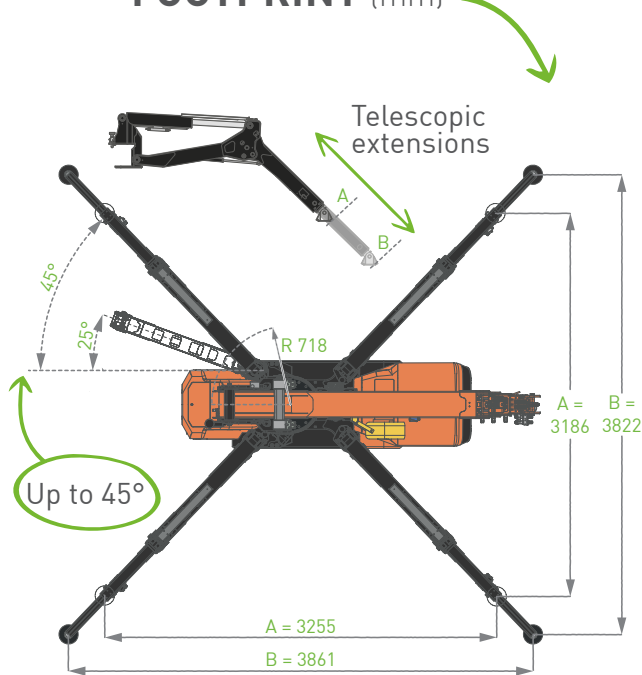
	Kg
SPX328	2300
Winch	52
Electric Jib	150



## DIMENSIONS (mm)



## FOOTPRINT (mm)



## ACCESSORIES

**JVM800-R**  
800 kg glass manipulator

**ELECTRIC JIB**  
500 kg max capacity

**1 ton RUNNER JIB**  
(Stored on board)

